



COMMERCIAL VEHICLE AUCTIONS LTD
THE UK'S MOST ESTABLISHED COMMERCIAL VEHICLE AUCTIONEERS

Carr Hill Industrial Estate
Doncaster
DN4 8DE

01302 732600 | cva.noreply@cva-auctions.co.uk

VEHICLE INSPECTION REPORT

YM18DLE

Ford Transit Custom 280 2.0 TDCI 105PS

Inspection		Vehicle	
Serious Damage?	No	VAT	Plus VAT
		V5	Present

Details					
Reg. date	24/07/2018	Colour	WHITE	CAP Average	£2,925.00
Year	2018	VIN	WF0YXTTGYJL86847	CAP Below	£2,300.00
Mileage	149,825 Miles Warranted	Body Style	Panel Van L1	Gearbox	MANUAL
Fuel Type	Diesel	CAP Clean	£3,400.00	Gears	6

AD BLUE, SIDE LOADING DOOR

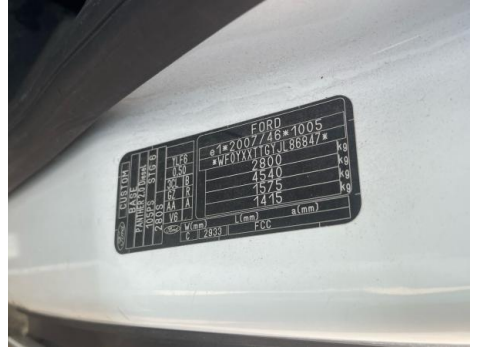
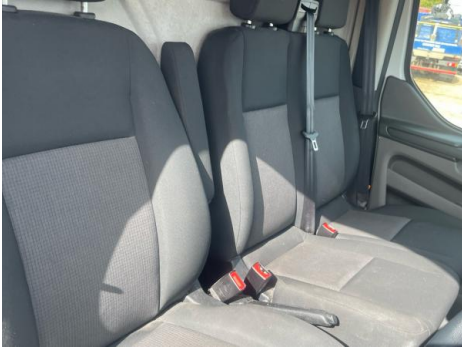
Tyres	
NSF	
NSR	
OSF	
OSR	
Spare	

Features

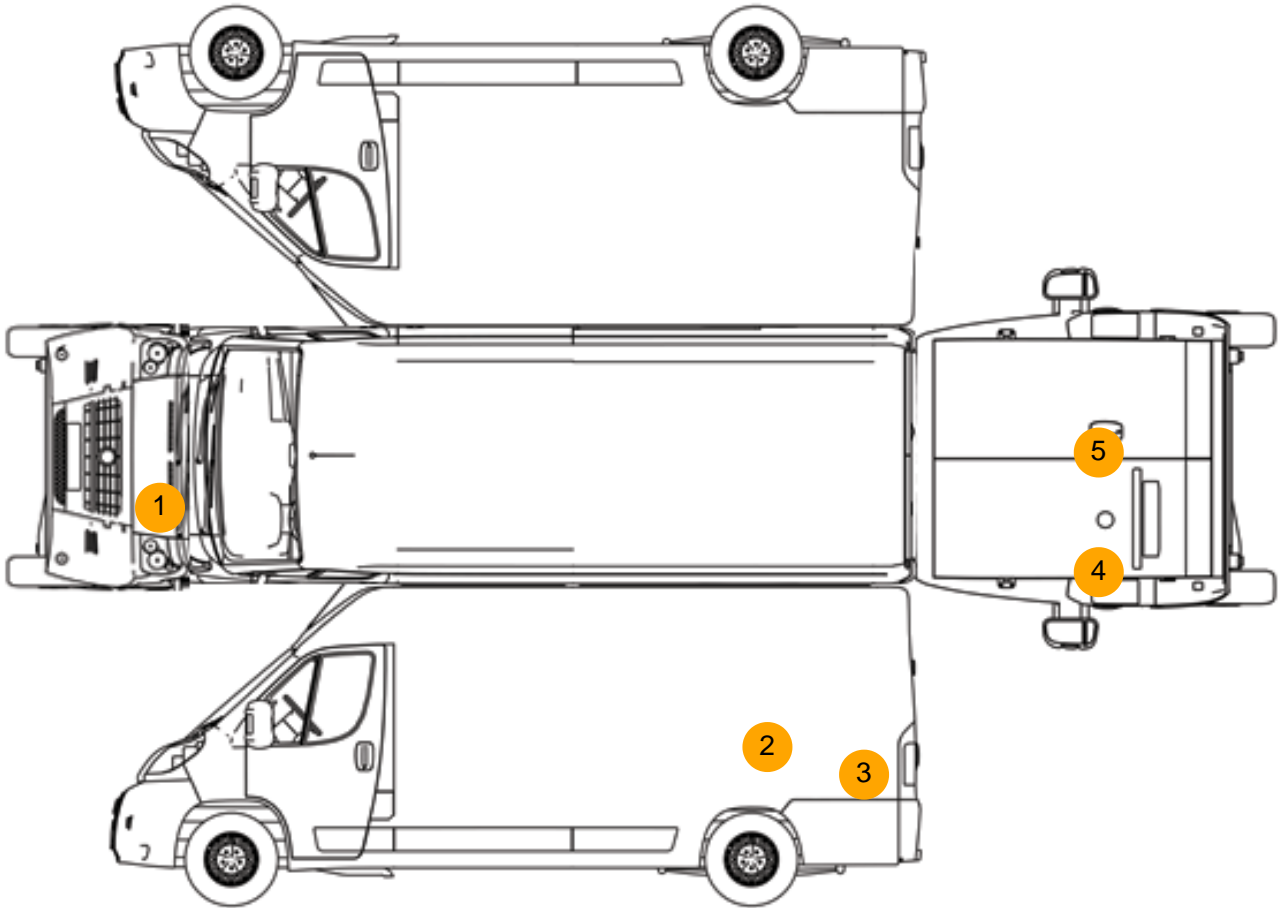
- Park assist camera
- Digital radio
- Front electric windows
- Central locking

Photos





Condition Check



Damage Photos



1: Bonnet
Chipped
Multiple Chips



2: Door nsr
Dented
Over 30mm



3: Qtr Panel osr
Dented
Over 30mm



4: Panel Rear
Chipped
1 To 5



5: Panel Rear
Dented
Between 10mm + 30mm

Interior

Carpet Condition
Seat Condition

OK
OK

Upholstery Condition
Odour

OK
No

Engine Runs	OK	Gearbox 1st and Reverse Test	OK
Brakes	OK	Clutch Slip Test from Static	OK
Turbo Boosting	OK	Gearbox Static Gear Selection (engine running)	OK
Parking Brake	OK	No Excessive Smoking	OK
EML light illuminated	OK	Oil warning light illuminated	OK
Airbag light illuminated	OK	DPF light illuminated	OK
ABS light illuminated	OK	Service indicator light illuminated	OK